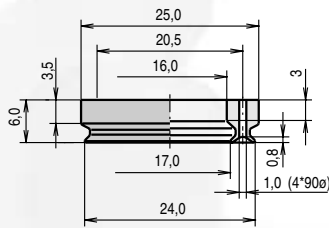


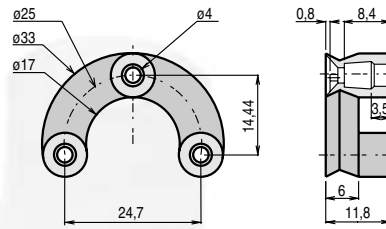
# CD handling suction cups



VCD 24 SIT4



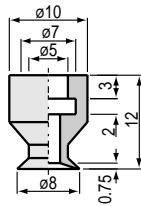
VCD 34 SIT5



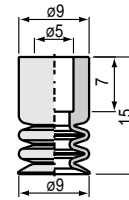
► **Other models on request:**

VCD17 SIT3, VCD 24 G SIT4, VCD 31 SIA and VCD 36 SIT3, semi-lunar suction cups of translucent silicone.

VPCD 8 SI



VS 9 PU



► **Characteristics :**

Deflection of **0,75 mm.**

► **Material :**

Pink silicone  
50 shores (SI)

► **Insert :**

IM5VPG5.

► **Characteristics :**

Deflection of **3 mm.**

► **Material :**

Polyurethan (PU)

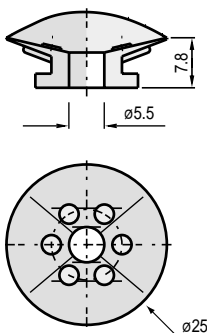
► **Insert :**

Inserts groupe 1  
Catalogue 2000 page 82.

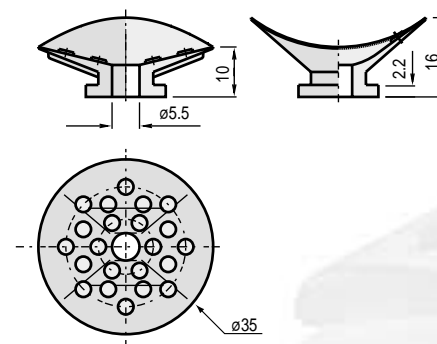
# Curved suction cups, series VPAG



VPAG 25 NR



VPAG 3536 NR



► **References:**

VPAG 3536 NR  
VPAG 25 NR

► **Material:**

Natural rubber (NR)

► **Colour:**

Light grey

Dimensions and characteristics may be modified without notice.

10